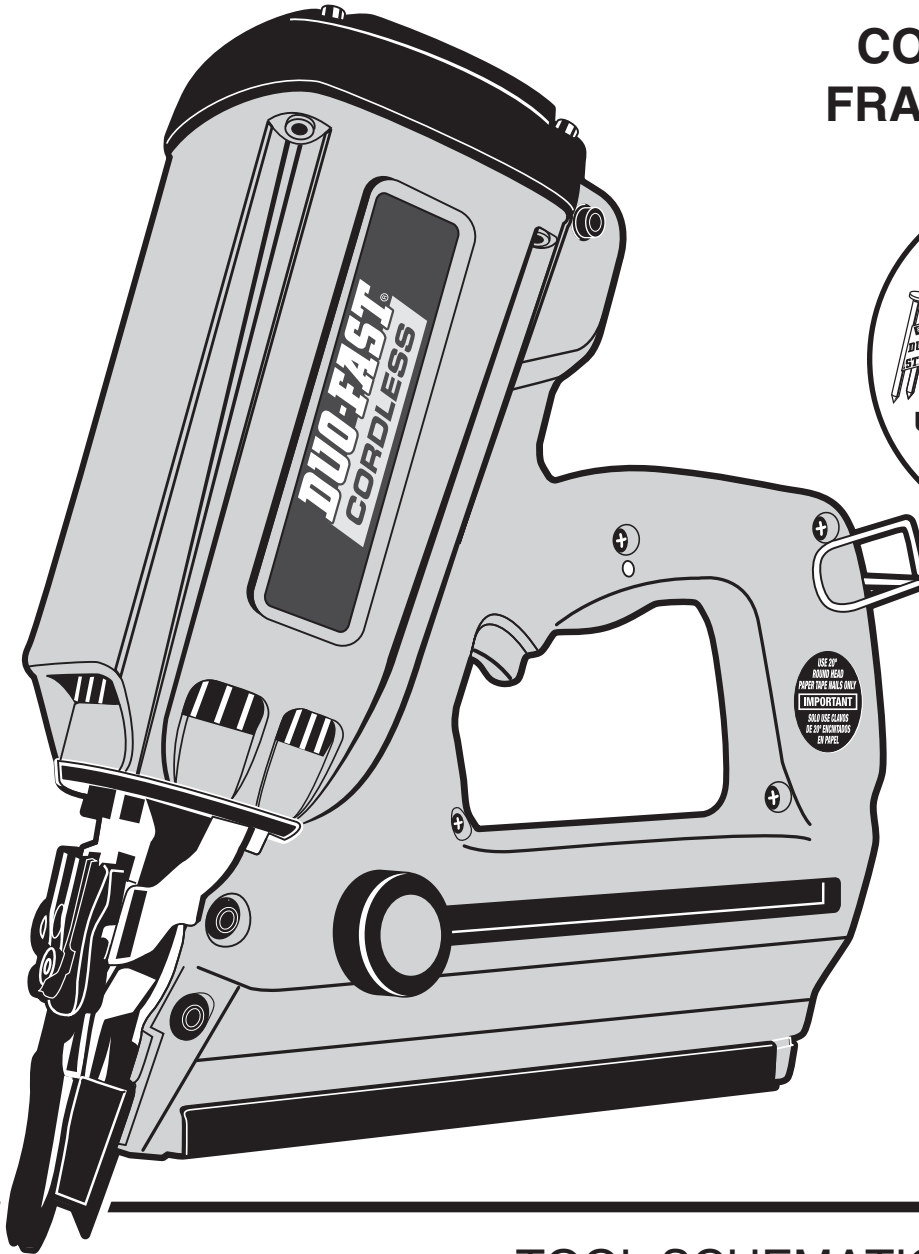


DUO-FAST[®] **CORDLESS**

Part. No. 903000

CORDLESS 20° FRAMING NAILER



TOOL SCHEMATIC AND PARTS

IMPORTANT! DO NOT DESTROY

Always refer to operating manual #903034 for detailed information on this tool. It is the customer's responsibility to have all operators and service personnel read and understand this information.

PARTS LEGEND DUO-FAST CORDLESS 20° FRAMING NAILER, 903000

1	903029	1	Grille	*52	404419	1	Bumper
*2	900315	1	Filter	53	404411	3	Spring
3	900469	1	Fan Motor Assembly (Includes PC board, washer and flat retaining ring)	54	900934	2	Steel Ring, Sleeve
4	900300	1	Retaining Ring (flat)	55	901204	1	Sleeve Assembly
6	900470	1	Motor Mount	56	404464	2	Rubber Stop
7	401355	1	Retaining Ring (curved)	57	404424	1	Reed Valve
8	901063	4	Shoulder Screw 10-24 x 1-1/2	58	404422	1	Muffler
*10	401356	1	Motor Sleeve	59	404423	1	Muffler Cover
11	900286	1	Spark Plug Assembly, includes O-Ring	■ 61	900596	6	Screw Thread Forming Sems 8-32 x 7/16
12	404428	2	Push Rod	▲ 62	403816	2	Socket Head Capscrew 10-24 x 1-1/8
13	404453	1	Bracket, Cylinder Head	63	404445	2	Bushing, Shear Block
14	404432	1	Bushing, Actuator	64	903026	1	Wear Plate, Nose
15	903027	1	Actuator	65	901249	1	Upper Probe
16	404433	1	Actuator Pin	66	903026	1	Lower Probe
17	401340	1	Stem Adapter	67	900592	2	S.H.C.S. Sems 10-32 x 1/2
18	900471	1	Cylinder Head Machined	68	401380	1	Tie Bar
*19	403992	1	O-Ring	70	903021	1	Housing Assembly
20	403167	1	Fan Blade Assembly	71	901251	1	Utility Hook Assembly
21	900474	1	Spark Unit Assembly	72	903018	2	Label
22	903010	1	Molded Circuit Assembly	73	900980	1	Retainer Ring, Sleeve
23	900478	1	Spark Plug Contact Assembly	74	900593	3	S.H.C.S. Sems 10-24 x 5/8
24	900231	1	Clip, ESU Wire	75	903008	1	Follower
■ 25	403987	2	Screw Thread Forming 6-32 x 1/4	76	900520	1	Follower Bushing Spring Assembly
26	903025	1	Handle Assembly Kit - Right & Left	77	901202	1	Retaining Ring
27	404448	1	Roller Lever Assembly	78	403986	1	Spring Pin
29	404702	4	Screw Thread Forming 6 x 3/8	79	403984	1	Follower Guide
30	903002	1	Nail Channel	80	903030	1	Follower Button
31	903009	1	Cover Plate Magazine	81	404457	1	Spring
32	901222	2	Shoulder Screw 10-32 x 1/2	82	404922	2	Pad, Battery Contact
33	903028	1	Cap	83	401450	5	Fuel Cell Pad
34	404412	1	Wear Plate, Chamber Lock	85	901240	1	Probe Release
35	900453	4	Screw Plastite 8-16 x 7/8	86	404426	1	Exhaust Baffle
**36	900508	1	Warning Label	87	404425	1	Reed Plate
37	903016	1	Channel Magazine	■ 88	900969	4	Torx Screw 8-32 x 5/8
■ 38	900594	4	S.H.C.S. Sems 8 - 32 x 1/2	89	900481	1	O-Ring
39	901241	1	Probe Stop	**90	900497	1	Warning Label
40	903015	1	Lockout Bar, Follower	91	900372	1	Combustion Chamber Ring
41	903001	1	Shear Block	92	404407	1	Combustion Chamber
42	901238	1	Spring, Flat	■ 93	900595	2	Torx Screw Sems 8-32 x 3/8
44	404435	1	Trigger	95	903013	1	Nameplate
45	900269	1	Chamber Lock Bar	96	900427	1	Light Pipe
46	404927	1	Spring, Trigger	97	900468	1	Washer, Motor Shaft
47	401328	1	Retainer ring	99	900546	1	Brass Insert
48	401461	2	Piston Ring	100	900597	1	Screw Thread Forming Sems 6-19 x 3/8
49	404485	1	Piston Assembly	101	903019	1	Label, Handle
50	900521	1	Combustion Chamber Assembly	102	903003	1	Battery Contact, Positive
51	404827	2	Pin	103	903004	1	Battery Contact, Negative

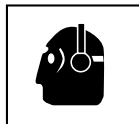
- * Denotes normal wear items
 ** Make sure Warning Labels (#900497 & #900508) are properly affixed. Replace if necessary. Labels are available at no charge through the Service Department.
 ▲ Apply Loctite 242 (Blue) Part No. 093500
 ■ Apply Loctite RC-620 (Green) Part No. 401491
 → Denotes new change.

SAFETY INSTRUCTIONS

WEAR EYE AND HEARING PROTECTION



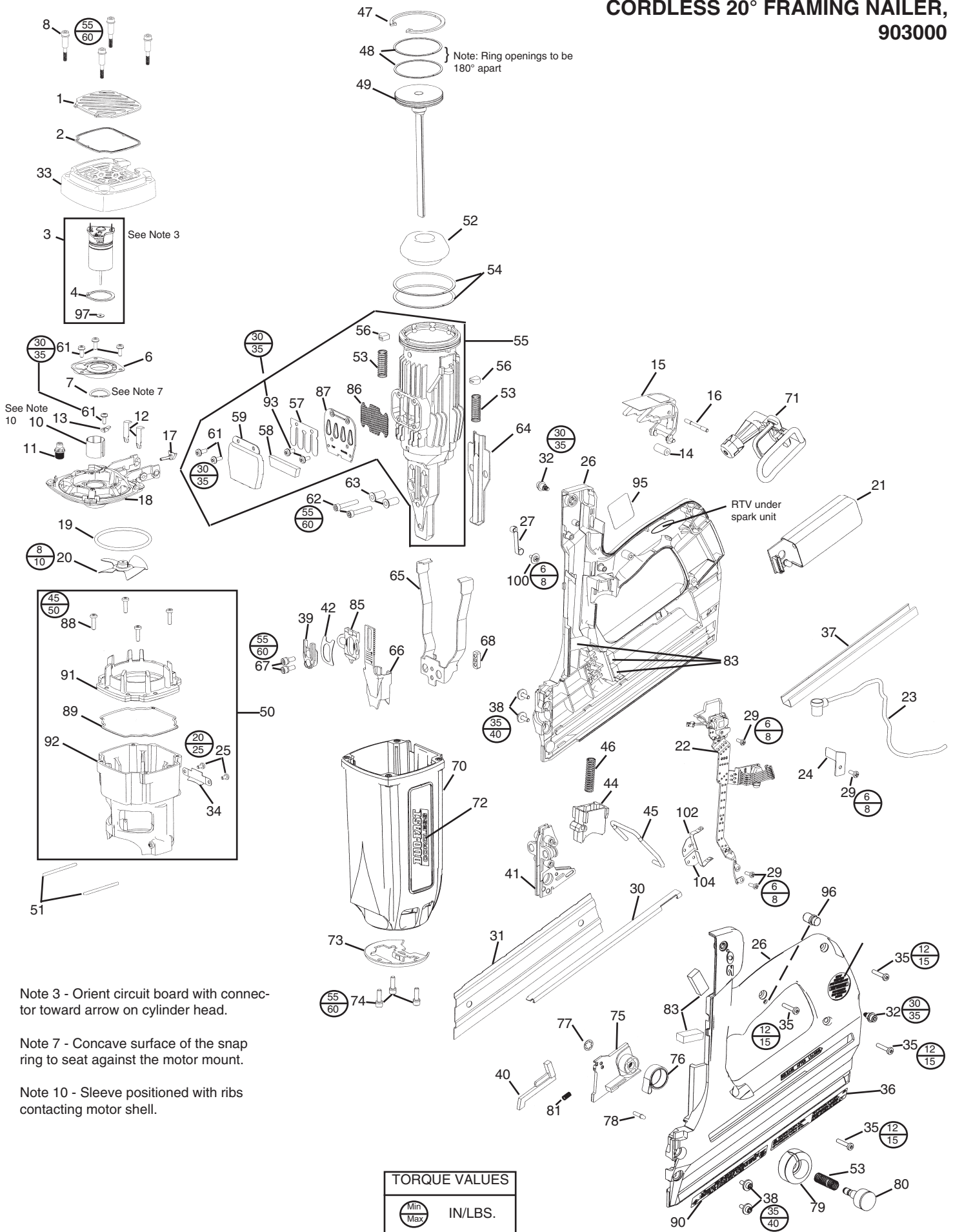
Always wear hearing protection and eye protection devices, including side shields when operating or working in the vicinity of a tool.



▲ WARNING

All parts must be periodically inspected and replaced if worn or broken. Failure to do this can affect the tool's operation and present a safety hazard.

CORDLESS 20° FRAMING NAILER, 903000



ACCESSORIES

Automotive Adapter

Enables you to re-charge your battery with your vehicle's electrical system.



Part No. 902333

Battery Cell



Part No. 902336

Duo-Fast Cordless Lubricating Oil



Part No. 902331

5/32" Hex Key



Part No. 401331

No-Mar Work Contacting Element

Rubber tipped WCE to eliminate marring work surface.
(Replacement rubber tip, Part No. 403369)



Part No. 903033

Duo-Fast Cordless 20° Nailer Case



Part No. 903032

Clear Safety Glasses



Part No. 402510

Degreaser Cleaner

Ideal cleaner for all Duo-Fast tools.



Part No. 902330

Battery Charger Kit

(Replacement Charger Base Only Part No. 902301)
(Replacement Transformer Only Part No. 902302- US/CANADA)



Part No. 902327

DUO-FAST
CORDLESS

An Illinois Tool Works Company
955 National Parkway
Schaumburg, IL 60173
www.duo-fastconstruction.com