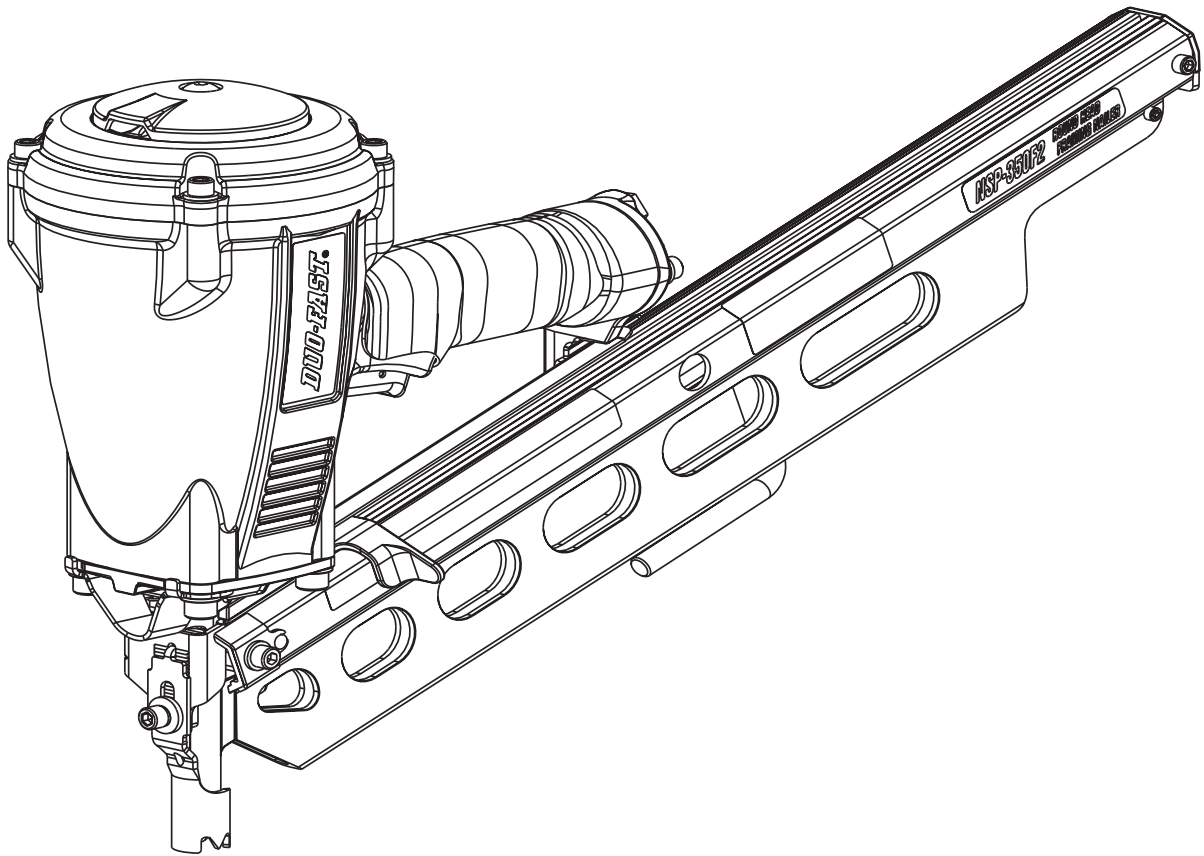


DUO-FAST[®]

MODEL NSP-350F2 20° Round Head Nailer



TOOL SCHEMATIC AND PARTS

**IMPORTANT!
DO NOT DESTROY**

Always refer to safety and maintenance manual #1013746 for detailed information on this tool. It is the customer's responsibility to have all operators and service personnel read and understand this information.

PARTS LEGEND

NSP-350F2 - 20°, 502101

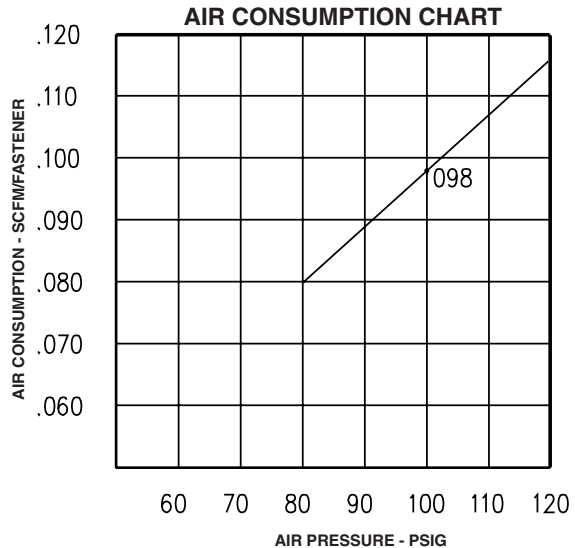
1	501300	4	S.H.C.S. 1/4-20 x 1-1/4"	37	092174	1	O-Ring
2	502082	1	Blade Seal	38	501976	1	Sequential Trigger
▲ 3	502091	1	T.H.S.C.S. 1/4 -20 x 3/4"	39	501008	1	Lever, Bottom Trip
4	501752	1	Air Deflector	40	402669	1	Pin, Trigger
5	501986	1	Top Cap	41	501010	1	Trigger
*6	501862	1	Cap Seal	42	501009	1	Spirol Pin
7	500754	1	Spacer, Exhaust	43	402668	1	Retaining Washer
8	500744	1	Stop, Piston	44	501608	1	Grooved Pin
9	500743	1	Spring, Valve	45	502079	1	Nose 20°
10	500742	1	Seat, Spring	46	502083	1	Follower
*11	091986	1	O-Ring	▲47	501997	4	S.H.C.S. 5/16-18 x 1"
12	501837	1	Piston, Valve	48	501058	1	Upper W.C.E.
*13	502089	3	O-Ring	49	501071	1	Spring, W.C.E.
*14	501861	1	O-Ring	50	500728	1	Lower W.C.E.
*15	502104	1	O-Ring, Piston	51	404800	1	Washer
16	501979	1	Piston	52	502097	1	Lock Washer
■*17	501980	1	Driver Blade	53	091618	1	S.H.C.S. 1/4-20 x 1/2"
18	501540	1	Sleeve	▲54	501567	2	Screw 1/4-28 x 3/4"
*19	500249	1	O-Ring	55	502085	1	Nail Cover
20	500779	1	Flange, Sleeve	56	501479	1	Spring
*21	501002	1	O-Ring	57	092037	1	Locknut, 10-32
*22	500866	1	Bumper	58	502113	1	Lock Nut, 6-32
23	502124	1	Housing (with roll pin)	59	502098	2	Wear Strip
24	501023	1	Grip, Handle	60	501994	1	Rafter Hook Assembly
25	501299	2	S.H.C.S. 1/4-20 x 1"	61	500513	1	Negator Assembly
26	091622	1	Reducing Pipe Bushing	62	500517	1	S.H.C.S. 10-32 x 2"
27	502075	1	End Cap, Housing	63	500518	1	S.H.C.S. 6-32 x 5/8"
*28	092042	1	O-Ring	64	500511	1	End Cap, Magazine
29	502084	1	W.C.E. Guide	65	500199	1	Spring
30	500525	1	Locknut, 5/16-24	66	500515	1	Latch
31	500516	1	B.H.C.S. 5/16 x 24 x 7/8"	67	404908	1	Bushing, Latch
32	502078	2	Label, Housing	68	502095	1	Model Label
33	071297	3	Roll Pin	69	501046	1	Drum Pin Assembly
34	501520	1	Spring, Valve Pin	**70	502092	1	Nameplate/Warning Label
35	097746	1	Valve Pin	71	500509	1	Front Bracket
36	401958	1	Valve Body	72	XH10831	1	Label, Sequential Cycle

* Denotes Normal Wear Items

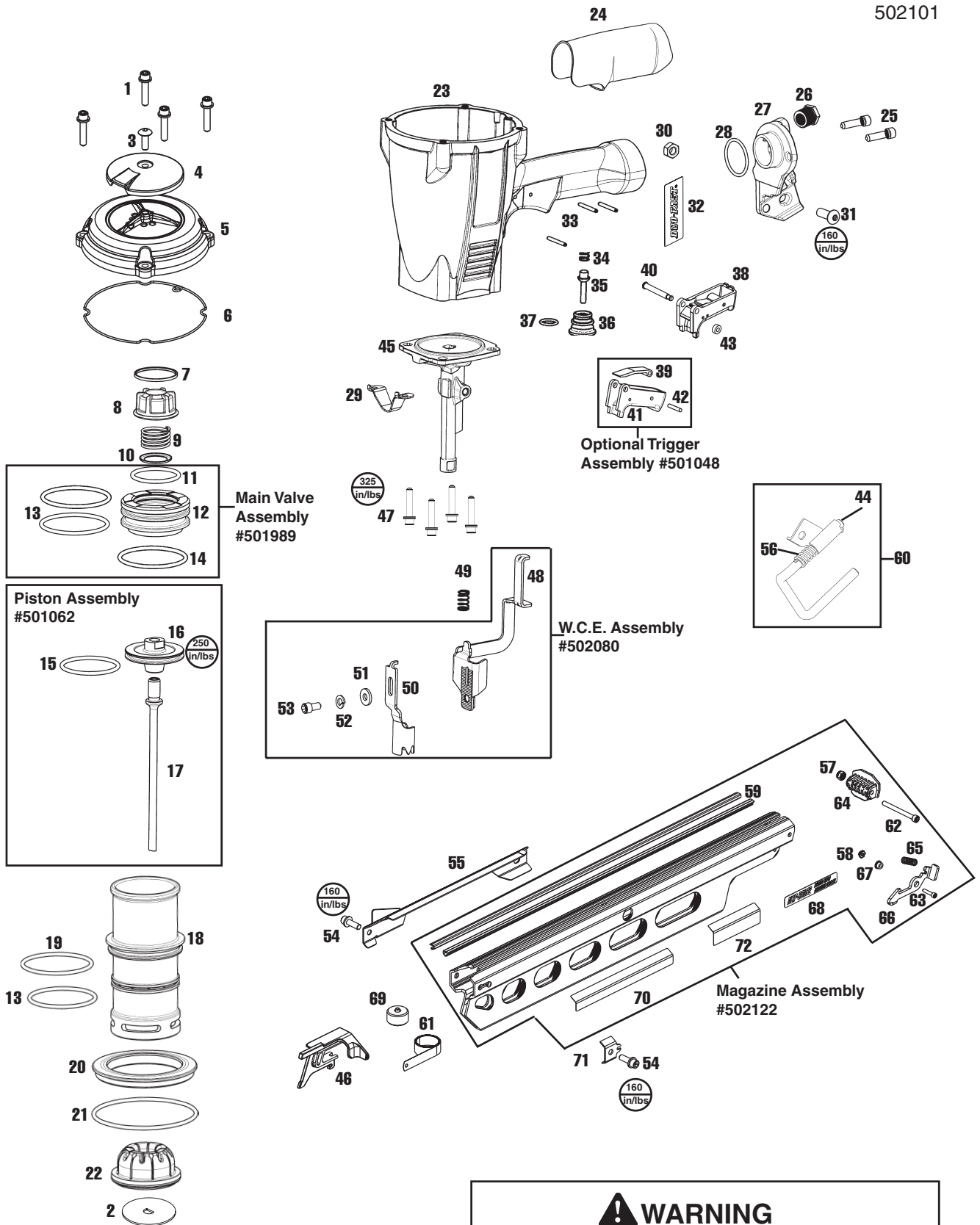
** Make sure Warning Label (Part No. 502092) is properly affixed. Replace if necessary. Label available at no charge through the Service Department.

▲ Apply Loctite 242 (Blue) Part No. 093500
 ■ Apply Loctite 680 (Green) Part No. 401491

→ Denotes new changes



Note: For optimum performance Duo-Fast recommends the use of a 3/8" Male inlet fitting.



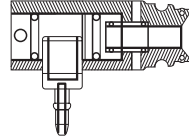
⚠ WARNING

All parts must be periodically inspected and replaced if worn or broken. Failure to do this can affect the tool's operation and present a safety hazard.

ACCESSORIES

Remote Fire Valve

This valve via a positive air signal allows a machine mounted tool to be operated from an automatic air valve or foot pedal system.



Part No. 1X0713

Toothless Work Contacting Element

This W.C.E. has a smooth tip for decking, siding and sheathing applications.

Part No. 500810

No-Mar Work Contacting Element

Rubber tip prevents you from marring wood surfaces

Part No. 501077

No-Mar Tip

Replacement tip for No-Mar Work Contacting Element #501077.

Part No. 501022

Lubricants and Loctite

Loctite 242 (Blue)
Lubricating Oil 16 oz.
Lubricating Oil with Antifreeze
Chemplex 710 Lubricant 1 lb.
Lubricant 5 gram tube



Part No. 093500
Part No. 403720
Part No. 219090
Part No. 403734
Part No. 219188

Degreaser Cleaner

Ideal cleaner for all Paslode tools.

Part No. 219086

Large Nylon Tool Case

Part No. 219246

Safety Glasses

Clear

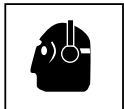
Part No. 502088

SAFETY INSTRUCTIONS

WEAR EYE AND HEARING PROTECTION

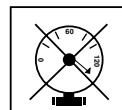


Always wear hearing protection and eye protection devices, including side shields when operating or working in the vicinity of a tool.



Never use any bottled air or gases such as oxygen to operate the tool since they could cause the tool to explode.

DO NOT EXCEED MAXIMUM RECOMMENDED AIR PRESSURE



Operate the tool using only the recommended air pressure. Do not exceed the maximum air pressure marked on the tool. Be sure the air pressure gauge is operating properly and check it at least twice a day.

